



CITY OF GRANTS

REQUEST FOR PROPOSALS

FOR

CONSTRUCTION SERVICES

RFP # 2025-Fire Station Expansion

Proposal Deadline: March 27, 2025

Submit To: Gloria Pargas

Chief Procurement Officer

600 W. Santa Fe Ave.

Grants, NM 87020

(505-287-7927, Ext. 2010)

I. Introduction

A. Purpose

The City of Grants is seeking proposals from qualified construction companies for the construction of an expansion to the Grants Fire and Rescue Fire Station.

B. Submittal Closing, Time, and Location

All proposals delivered in an express courier package shall be sealed in a separate envelope within the courier package. Any proposal found ineligible or incomplete shall not be considered for selection. Proposers assume full responsibility for having their proposal deposited at the proper address and no later than the scheduled closing time. Faxed or emailed proposals or modifications will not be considered.

Proposals will not be received after the closing date and time indicated below.

Labeling: REQUEST FOR PROPOSAL FOR CONSTRUCTION SERVICES Submittal Closing:
Monday, October 16, 2024 at 3:00 p.m., MST

City of Grants

<https://www.grantsnm.gov/Departments/Finance/Procurement-BidsRFP>

Chief Procurement Officer

Attention: Gloria Pargas

600 W. Santa Fe Ave.

Grants, NM 87020

C. Inquiries and Sequence of Events

Any prospective Proposer desiring an explanation or interpretation of the solicitation, specifications, etc., must request so in writing, no later than five (5) business days before proposal due date to allow a reply to reach prospective Proposer before the proposal submission date. The written request must be submitted to the individual identified below. Verbal explanations or instructions given during any phase of this solicitation will not be binding. Inquiries regarding this solicitation shall be directed to:

Gloria Pargas

Chief Procurement Officer

City of Grants

600 W. Santa Fe Ave.

Grants, NM 87020

Phone: (505) 287-7927, Ext. 2010

Email: gpargas@grantsnm.gov

Please reference "Request for Proposals Construction Services for Fire Station Expansion" when contacting the City regarding this solicitation. The City of Grants website, www.cityofgrants.net will contain a copy of this document as well as a summary of any/all applicable addenda, if any.

ACTION	RESPONSIBLE PARTY	DUE DATE
Issue RFP	Procurement Officer	February 26, 2025
Deadline to Submit Questions	Potential Offerors	March 27, 2025
<i>Submission of Proposals</i>	<i>Potential Offerors</i>	<i>April 4, 2025 at 3:00 p.m. MT</i>
Proposal Evaluation	Evaluation Committee	April 7, 2025
Announcement of Selection	City Manager/City Council	April 16, 2025
Notice of Award	Procurement Officer	April 16, 2025

D. Procurement Information and Proposal Instructions:

Any inquiries or requests regarding clarification of this procurement shall be submitted to the Procurement Officer ONLY in writing via e-mail or regular mail. Offerors shall not contact any other City employees.

E. Definitions

"Agency" or "Purchasing Agency" means the City of Grants, Grants Fire and Rescue.

"City" means the City of Grants.

"Contract" or "Agreement" means a written agreement for the procurement construction services pursuant to this RFP.

"Contractor" means a successful Offeror who enters into a binding Agreement pursuant to this RFP.

"Desirable" The terms "may", "can", "should", "preferably", or "prefers" identify a desirable or discretionary item or factor (as opposed to "mandatory").

"Evaluation Committee" means a body appointed by The City management and/or the Chief Procurement Officer to perform the evaluation of Offeror proposals.

"Mandatory" The terms "must", "shall", "will", "is required", or "are required", identify a mandatory item or factor (as opposed to "desirable"). Failure to meet a mandatory item or factor will result in the rejection of the Offeror's proposal.

"Offeror" is any person, corporation, or partnership who chooses to submit a proposal.

"Request for Proposals" or "RFP" means all documents, including those attached or incorporated by reference, used for soliciting proposals.

"Responsible Offeror" means an Offeror who submits a responsive proposal and who has furnished, when required, information and data to prove that his financial resources, production or service facilities, personnel, service reputation and experience are adequate to make satisfactory delivery of the services or items of tangible personal property described in the proposal.

"Responsive Offer" or "Responsive Proposal" means an offer or proposal which conforms in all material respects to the requirements set forth in the request for proposals. Material respects of a request for proposals include, but are not limited to, price, quality, quantity or delivery requirements.

II. Terms and Conditions

A. Acceptance of Conditions Governing the Procurement

Offerors shall indicate their acceptance of the Conditions Governing the Procurement section in the letter of transmittal. Submission of a proposal constitutes acceptance of the Evaluation Factors contained in Section V of this RFP.

B. Incurring Cost

Any cost incurred by the Offeror in preparation, transmittal, presentation of any proposal or material submitted in response to this RFP shall be borne solely by the Offeror.

C. Prime Contractor Responsibility

Any contract that may result from this RFP shall specify that the prime contractor is solely responsible for fulfillment of the contract with The City. The City will make contract payments to only the prime contractor.

D. Subcontractors

Use of subcontractors shall be clearly explained in the proposal, and major subcontractors shall be identified by name. The prime contractor shall be wholly responsible for the entire performance whether or not subcontractors are used.

E. Amended Proposals

An Offeror may submit an amended proposal before the deadline for receipt of proposals. Such amended proposals shall be complete replacements for a previously submitted proposal and shall be clearly identified as such in the transmittal letter. The City personnel will not merge, collate, or assemble proposal materials.

F. Offerors' Rights to Withdraw Proposal

Offerors will be allowed to withdraw their proposals at any time prior to the deadline for receipt of proposals. The Offeror shall submit a written withdrawal request signed by the Offeror's duly authorized representative addressed to the Procurement Manager. The approval or denial of withdrawal requests received after the deadline for receipt of the proposals is governed by the applicable procurement regulations.

G. Proposal Offer Firm

Responses to this RFP, including proposal prices, will be considered firm for one hundred twenty (120) days after the due date for receipt of proposals.

H. Disclosure of Proposal Contents

The proposals will be kept confidential until a contract is awarded. At that time, all proposals and documents pertaining to the proposals will be open to the public, except for the material that is proprietary or confidential. The Procurement Manager will not disclose or make public any pages of a proposal on which the Offeror has stamped or imprinted "proprietary" or "confidential" subject to the following requirements. Proprietary or confidential data shall be readily separable from the proposal in order to facilitate eventual public inspection of the non-confidential portion of the proposal. Confidential data is normally restricted to confidential financial information concerning the Offeror's organization and data that qualifies as a trade secret in accordance with New Mexico Uniform Trade Secrets Act [§57-3A-1 to 57-3A-7 NMSA 1978]. The cost of services proposed shall not be designated as proprietary or confidential information. If a request is received for disclosure of data for which an Offeror has made a written request for confidentiality, the Chief Procurement Officer shall examine the Offeror's request and make a written determination that specifies which portions of the proposal should be disclosed. Unless the Offeror takes legal action to prevent the disclosure, the proposal will be so disclosed. The proposal shall be open to public inspection subject to any continuing prohibition on the disclosure of confidential data. 9. 10. 11. 12. 13. 14. 15.

I. No Obligation

This procurement in no manner obligates the City or any of its agencies to the use of any proposed professional services until a valid written contract is awarded and approved by the appropriate authorities.

J. Termination

This RFP may be canceled at any time and any and all proposals may be rejected in whole or in part when the City determines such action to be in the best interest of the City.

K. Sufficient Appropriation

Any contract awarded as a result of this RFP process may be terminated if sufficient appropriations or authorizations do not exist. Such termination will be effected by sending written notice to the contractor. The City's decision as to whether sufficient appropriations and authorizations are available will be accepted by the contractor as final.

L. Legal Review

The City requires that all Offerors agree to be bound by the General Requirements contained in this RFP. Any Offeror concerns shall be promptly brought to the attention of the City of Grants, City Manager and Grants Fire and Rescue, Fire Chief.

M. Governing Law

This procurement and any agreement with Offerors that may result shall be governed by the laws of the State New Mexico. The venue shall be Cibola County, New Mexico.

N. Basis for Proposal

Only information supplied by the City in writing through the City of Grants, City Manager or Grants Fire and Rescue, Fire Chief or in this RFP should be used as the basis for the preparation of Offeror proposals.

O. Contract Terms and Conditions

The Contractor shall prepare the Agreement to be executed by both parties upon final review and approval of the City. The City reserves the right to negotiate with a successful Offeror the provisions of an Agreement to be executed pursuant to this RFP. The contents of this RFP, as revised and/or supplemented, and the successful Offeror's proposal will be incorporated into and become part of the Agreement. Each Offeror shall submit a proposed Agreement to be executed by both parties pursuant to this RFP.

P. Contract Negotiations

Any additional terms and conditions, which may be the subject of negotiation, will be discussed only between the City and the selected Offeror and shall not be deemed an opportunity to amend the Offeror's proposal.

Q. Offeror Qualifications

The Evaluation Committee may make such investigations as necessary to determine the ability of the Offeror to adhere to the requirements specified within this RFP. The Evaluation Committee

will reject the proposal of any Offeror who is not a Responsible Offeror or fails to submit a Responsive Offer as defined in this RFP.

R. Right to Waive Minor Irregularities

The Evaluation Committee reserves the right to waive minor irregularities. The Evaluation Committee also reserves the right to waive mandatory requirements provided that all of the otherwise responsive proposals failed to meet the mandatory requirements and/or doing so does not otherwise materially affect the procurement. This right is at the sole discretion of the Evaluation Committee.

S. Change in Contractor Representatives

The City reserves the right to require a change in contractor representatives if the assigned representatives are not, in the opinion of the City, meeting its needs adequately.

T. City Rights

The City reserves the right to accept all or a portion of an Offeror's proposal. In addition, The City reserves the right to purchase professional services from authorized price agreements or in accordance with applicable provisions procurement regulations.

U. Right to Publish

Throughout the duration of this procurement process and contract term, potential Offerors, Offerors and contractors shall secure from The City written approval prior to the release of any information that pertains to the potential work or activities covered by this procurement or the subsequent contract. Failure to adhere to this requirement may result in disqualification of the Offeror's proposal or termination of the contract.

V. Ownership of Proposals

All documents submitted in response to this Request for Proposals shall become the property of the City after the contract has been awarded. However, nonselected Offerors may retrieve at their expense any technical or user documentation submitted with their proposals after the expiration of the protest period.

W. Electronic Mail Address Required

A large part of the communication regarding this procurement will be conducted by electronic mail (e-mail). Offeror shall have a valid e-mail address to receive this correspondence.

X. Letter of Transmittal

Each proposal shall be accompanied by a letter of transmittal. CAUTION: The proposal shall be binding without restriction. Offerors shall not include language in the Letter Of Transmittal such as "subject to successful negotiation" or words to that effect. The letter of transmittal SHALL be

signed by the appropriate representatives. Failure to follow these instructions shall result in the rejection of the proposal.

Y. State Wage

State wage rates shall apply to any bid or proposal on construction or public works projects in excess of \$60,000. In addition all Offerors shall comply with federal wage rates on applicable projects.

Z. Non Collusion

The Offeror certifies that he/she has not either directly or indirectly entered into action in restraint of free, competitive submission of a proposal in connection with this RFP. All proposals must be accompanied by a signed and notarized Non-Collusion Affidavit.

AA. Reservation of Rights

This RFP does not commit or obligate the City to accept or execute an agreement for any expressed or implied service. The City reserves the right to:

- Reject any and all proposals received and to accept or reject any item(s) herein;
- Be the sole judge of the relative merits of the material mentioned in the respective proposal received;
- Request any firm/individual submitting a proposal to clarify its proposal during the selection phase;
- Negotiate the service schedule and reasonable costs with the selected firm/individual;
- Modify or alter any requirement herein, and issue addenda or amendments to this RFP.

BB. Proposal Inclusions

The Request for Proposals documents shall be submitted in their entirety, with ALL applicable portions fully completed by the Offeror. All Offerors are encouraged to review and confirm that their proposals include and specifically addresses all of the proposal requirements prior to submitting as outlines elsewhere in this document. All Proposers shall complete and return one (1) original and (5) copies of their proposal on standard sized paper. More than one (1) proposal from an individual, firm, partnership, or corporation under the same or different names will not be considered.

CC. Professional Licensing

The Contractor, and any sub-contractor(s), shall possess any necessary professional certification(s) and/or license(s) relative to the work to be performed required by an appropriate licensing authority of the State of New Mexico and shall provide evidence of such to the City with their proposal or prior to commencement of the work in such a form as the City shall require.

DD. Insurance Requirement

The Contractor shall, at its own expense, procure and maintain for the duration of the Agreement, insurance against claims for injuries to persons or damages to property which may arise from or in connection with the performance of the Agreement by the Contractor, its agents, representatives, employees, or subcontractors. Proposer shall also require all of its subcontractors assigned to provide services to procure and maintain the same insurance requirement for the duration of the Agreement. Specific insurance requirements are as follows:

- General Liability Insurance of at least \$1,000,000.00 per occurrence and \$2,000,000.00 aggregate liability.
- Professional Errors and Omissions Insurance of at least \$1,000,000.00 per occurrence and \$2,000,000.00 annual aggregate liability.

EE. Business License

The Contractor, and any sub-contractor(s), shall obtain a valid City of Grants Business License on or before their commencement of work.

FF. Equal Opportunity

The City requires all Offerors to comply with equal opportunity policies.

II. Independent Contractor

The Contractor shall agree to be an independent contractor. All persons employed by the Contractor in accordance with an Agreement resulting from the RFP will be employees of the firm, partnership, or corporation and not of the City of Grants.

GG. Appendix

The appendix shall include any suggested additions or modifications to the scope that the individual/firm believes will enhance the quality of their proposal. Individual/Firm brochures, exhibits, and any other pertinent documents may be included in the Appendix.

III. Required Information

All proposals must include the following:

A. Letter of Transmittal

Offerors must submit a Letter of Transmittal signed by an authorized representative of the company or the individual committing to provide the construction services described in this RFP, including a brief introduction and history of the company or individual, number of employees, proven work history, and a statement as to qualifications.

B. Table of Contents

Offeror must include a clear identification of the material by section and page number included in the proposal.

C. Qualification

Offeror must provide professional experience and qualifications for the Offeror and/or company and the designated individuals to provide the services specified in the Request for Proposals.

D. Project Approach

The Offeror shall include in its proposal a detailed description of the approach to executing the Project, including project management and construction methodology. The Offeror shall also include a proposed Project timeline, including completion of key milestone dates and Project completion date. The Offeror shall also include a detailed cost estimate which includes labor, materials, and any other anticipated expenses, along with payment terms and conditions.

E. Cost Proposal

Offeror shall provide detailed cost proposal for completion of Scope of Work.

Offerors shall submit a detailed cost proposal that includes a comprehensive breakdown of all costs associated with the project. The cost proposal must include, at a minimum:

Description of Work – A clear and concise explanation of the work to be performed.

Labor Costs – Breakdown of all labor costs, including estimated hours, and roles.

Subcontracted Costs – Any costs related to subcontractors, including detailed descriptions and pricing.

Material Costs – Itemized list of all materials required, including unit costs and quantities.

Equipment Costs – Costs related to equipment usage, rental, or purchase.

Total Cost – A final total that sums all of the above components.

Failure to provide a fully detailed cost proposal may result in disqualification from consideration.

F. Required Forms

Offeror must provide completed Certification of Proposal Form (Please refer to Attachment A), Business Information Form (Please refer to Attachment B), Campaign Contribution Disclosure Form (Please Refer to Attachment C).

G. References

Offeror should provide contact information for three (4) municipal, public agency and/or key clients for which construction services have been provided in the last ten (10) years. Please include the contact person's name, address, phone number and email address.

H. Proof of Insurance

Offeror shall provide proof of insurance which meets the requirements of this RFP and should provide proof of bonding capacity.

I. Business License

Offeror shall provide a copy of its City of Grants Business License or complete application for the same.

IV. Scope of Work

A. Detailed Scope of Work

The City of Grants is seeking proposals from qualified construction companies for the construction of an expansion to the Grants Fire and Rescue Fire Station (“Project”). The Project will include the addition of two vehicle bays to the existing Fire Station Facility for Fire and/or Emergency Medical Services apparatus parking (Please refer to Attachment D). The Project will include site preparation with compacted blending structural fill. The new addition will be a 50’ x 80’ pre-engineered metal building on concrete slab with turn-down concrete foundation. Concrete driveways will be installed on both ends of the new addition. Additionally, the Project will include a new electric service separate from the existing Fire Station Facility’s electric service to be installed as approved by the local electric utility. The Project will also include HVAC work of installing two ceiling-hung gas-fired space heaters in the new space. No air conditioning will be included in the Project. Existing plumbing facilities meeting IBC Requirements for quantity relative to the occupant load and accessibility. The Project must be constructed in compliance with Commercial Building Code, Existing Building Code, Commercial Energy Conservation Code, Electrical Code, Plumbing and Mechanical Code.

B. Understanding the Scope of Work

The Contractor shall report directly to City of Grants, City Manager and Grants Fire and Rescue, Fire Chief.

V. Evaluation Criteria

A. Evaluation Point Summary

The following is a summary of evaluation factors with point value assigned to each.

FACTOR	POINTS
Company Experience	30

Company Past Performance/References	25
Proposed Key Personnel Experience	10
Project Plan	20
Cost Proposal	15
Mandatory Forms	Pass/Fail
<i>SUBTOTAL</i>	<i>100</i>

ADDITIONAL OPTIONAL POINTS

Points will be awarded based on Offerors ability to provide a copy of a current Certificates

Resident Business Preference 8% of subtotal

Resident Native American Preference 8% of subtotal

Resident Veterans Preference 10% of subtotal

Resident Native American Veterans Pref. 10% of subtotal

C. Evaluation Factors

Points will be awarded on the basis of the following evaluation factors:

1. Company Experience (30 points) Points will be awarded based on the thoroughness and clarity of Offeror's response in this Section. The Evaluation Committee will also weigh the relevancy and extent of Offeror's experience, expertise and knowledge of proposed Staff.

2. Company Past Performance/References (25 points) Points for company references will be awarded based upon an evaluation of the Offeror's work for previous clients receiving similar services to those proposed by the Offeror for this contract.

3. Personnel Experience (10 points) Points for personnel experience will be awarded based upon an evaluation of each staff member's experience as it relates to their proposed role and the needs of this contract. Note: This factor should be divided into meaningful subfactors based upon the specific requirements of the solicitation. Some general criteria may include, education, years of experience etc.

4. Project Plan (20 points) Points will be awarded for this evaluation factor based upon the quality and thoroughness of the project plan.

5. Cost (15 points) Up to 15 points will be awarded based upon the evaluation of costs proposed. The fee MUST be separately sealed and clearly marked.

6. Additional Optional Points

- Resident Business Preference – 8% of the total points available in this RFP will be awarded if the proposal contains a copy the Taxation and Revenue Department’s resident business preference certificate unless a Resident Veterans Preference Certificate is also submitted in which case the higher number of points from the Resident Veterans Preference shall be awarded instead.
- Native American Resident Business Preference - A Native American business that has a valid resident business certificate issued by the NM Taxation and Revenue Department pursuant to Section 13-1-22, NMSA 1978 shall receive an 8% preference of the total available points.
- Resident Veterans Preference – 10% of the total points available in this RFP will be awarded if the proposal contains a copy of the Taxation and Revenue Department’s Resident Veterans Certificate as follows: Resident veterans businesses with annual revenues of \$3M or less.
- Native American Resident Veterans Business Preference - A business that has a valid resident veteran business certificate issued by the NM Taxation and Revenue Department pursuant to Section 13-1-22 NMSA 1978 shall receive a 10% preference of the total available points.

D. Evaluation Process

The evaluation process will follow the steps listed below:

1. All Offeror proposals will be reviewed for compliance with the mandatory requirements stated within the RFP. Proposals deemed non-responsive will be eliminated from further consideration.
2. The Procurement Manager may contact the Offeror for clarification of the response as specified in Section II, Paragraph B.7.
3. The Evaluation Committee may use other sources of information to perform the evaluation as specified in Section II, Paragraph C.18.
4. Responsive proposals will be evaluated on the factors in Section V that have been assigned a point value. The responsible Offerors with the highest scores will be selected as finalist Offerors based upon the proposals submitted. Finalist Offerors who are asked or choose to submit revised proposals for the purpose of obtaining best and final offers will have their points recalculated accordingly. The responsible Offeror whose proposal is most advantageous to The City, taking into consideration the evaluation factors in Section V, will be recommended for contract award as specified in Section II, Paragraph B.12. Please note, however, that a serious deficiency in the response to any one factor may be grounds for non-selection regardless of overall score.

Attachment A

Certification of Proposal

The undersigned hereby submits its proposal and, by so doing, agrees to furnish services to the City in accordance with this Request for Proposal and to be bound by the terms and conditions of the RFP.

This firm has carefully reviewed its proposal and understands and agrees that the City is not responsible for any errors or omissions on the part of the Proposer and that the Proposer is solely responsible for such errors or omissions.

It is understood and agreed that the City reserves the right to accept or reject any or all proposals and to waive any informal or irregularity in any proposal received by the City.

The proposal includes all components, figures and data required by this Request for Proposal.

This firm has carefully read and fully understands all of the items contained in this Request for Proposals. This firm agrees to all of the requirements of the RFP.

The City is not responsible for any cost associated with preparing the Proposal.

Date: _____

Name of Firm: _____

Authorized Signature: _____

Print Name: _____

Title: _____

Address: _____

Telephone: _____

Fax: _____

Email: _____

Attachment C

CAMPAIGN CONTRIBUTION DISCLOSURE FORM

Pursuant to NMSA 1978, § 13-1-191.1 (2006), any person seeking to enter into a contract with any state agency or local public body for professional services, a design and build project delivery system, or the design and installation of measures the primary purpose of which is to conserve natural resources must file this form with that state agency or local public body. This form must be filed even if the contract qualifies as a small purchase or a sole source contract. The prospective contractor must disclose whether they, a family member or a representative of the prospective contractor has made a campaign contribution to an applicable public official of the state or a local public body during the two years prior to the date on which the contractor submits a proposal or, in the case of a sole source or small purchase contract, the two years prior to the date the contractor signs the contract, if the aggregate total of contributions given by the prospective contractor, a family member or a representative of the prospective contractor to the public official exceeds two hundred and fifty dollars (\$250) over the two year period.

Furthermore, the state agency or local public body shall void an executed contract or cancel a solicitation or proposed award for a proposed contract if: 1) a prospective contractor, a family member of the prospective contractor, or a representative of the prospective contractor gives a campaign contribution or other thing of value to an applicable public official or the applicable public official's employees during the pendency of the procurement process or 2) a prospective contractor fails to submit a fully completed disclosure statement pursuant to the law.

THIS FORM MUST BE FILED BY ANY PROSPECTIVE CONTRACTOR WHETHER OR NOT THEY, THEIR FAMILY MEMBER, OR THEIR REPRESENTATIVE HAS MADE ANY CONTRIBUTIONS SUBJECT TO DISCLOSURE.

The following definitions apply:

“Applicable public official” means a person elected to an office or a person appointed to complete a term of an elected office, who has the authority to award or influence the award of the contract for which the prospective contractor is submitting a competitive sealed proposal or who has the authority to negotiate a sole source or small purchase contract that may be awarded without submission of a sealed competitive proposal.

“Campaign Contribution” means a gift, subscription, loan, advance or deposit of money or other thing of value, including the estimated value of an in-kind contribution, that is made to or received by an applicable public official or any person authorized to raise, collect or expend contributions on that official's behalf for the purpose of electing the official to either statewide or local office. “Campaign Contribution” includes the payment of a debt incurred in an election campaign, but does not include the value of services provided without compensation or unreimbursed travel or other personal expenses of individuals

who volunteer a portion or all of their time on behalf of a candidate or political committee, nor does it include the administrative or solicitation expenses of a political committee that are paid by an organization that sponsors the committee.

“Family member” means spouse, father, mother, child, father-in-law, mother-in-law, daughter-in-law or son-in-law.

“Pendency of the procurement process” means the time period commencing with the public notice of the request for proposals and ending with the award of the contract or the cancellation of the request for proposals.

“Person” means any corporation, partnership, individual, joint venture, association or any other private legal entity.

“Prospective contractor” means a person who is subject to the competitive sealed proposal process set forth in the Procurement Code or is not required to submit a competitive sealed proposal because that person qualifies for a sole source or a small purchase contract.

“Representative of a prospective contractor” means an officer or director of a corporation, a member or manager of a limited liability corporation, a partner of a partnership or a trustee of a trust of the prospective contractor.

DISCLOSURE OF CONTRIBUTIONS:

Contribution Made By:

Relation to Prospective Contractor:

Name of Applicable Public Official:

Date Contribution(s) Made:

Amount(s) of Contribution(s):

Nature of
Contribution(s) _____

Purpose of
Contribution(s) _____

-OR-

_____ NO CONTRIBUTIONS IN THE AGGREGATE TOTAL OVER TWO
HUNDRED FIFTY DOLLARS (\$250) WERE MADE to an applicable public official by me, a
family member or representative.

Signature

Date

Title (position)

Attachment D

NEW MEXICO STATE FIRE MARSHAL'S DIVISION

REVIEW AND APPROVAL OF SUBMITTED PLANS BY THIS OFFICE DOES NOT RELIEVE THE APPLICANT OF THE RESPONSIBILITY OF COMPLIANCE WITH ALL APPLICABLE CODES AND STANDARDS, 2021 INTERNATIONAL FIRE CODE (IFC), SECTION 106.0

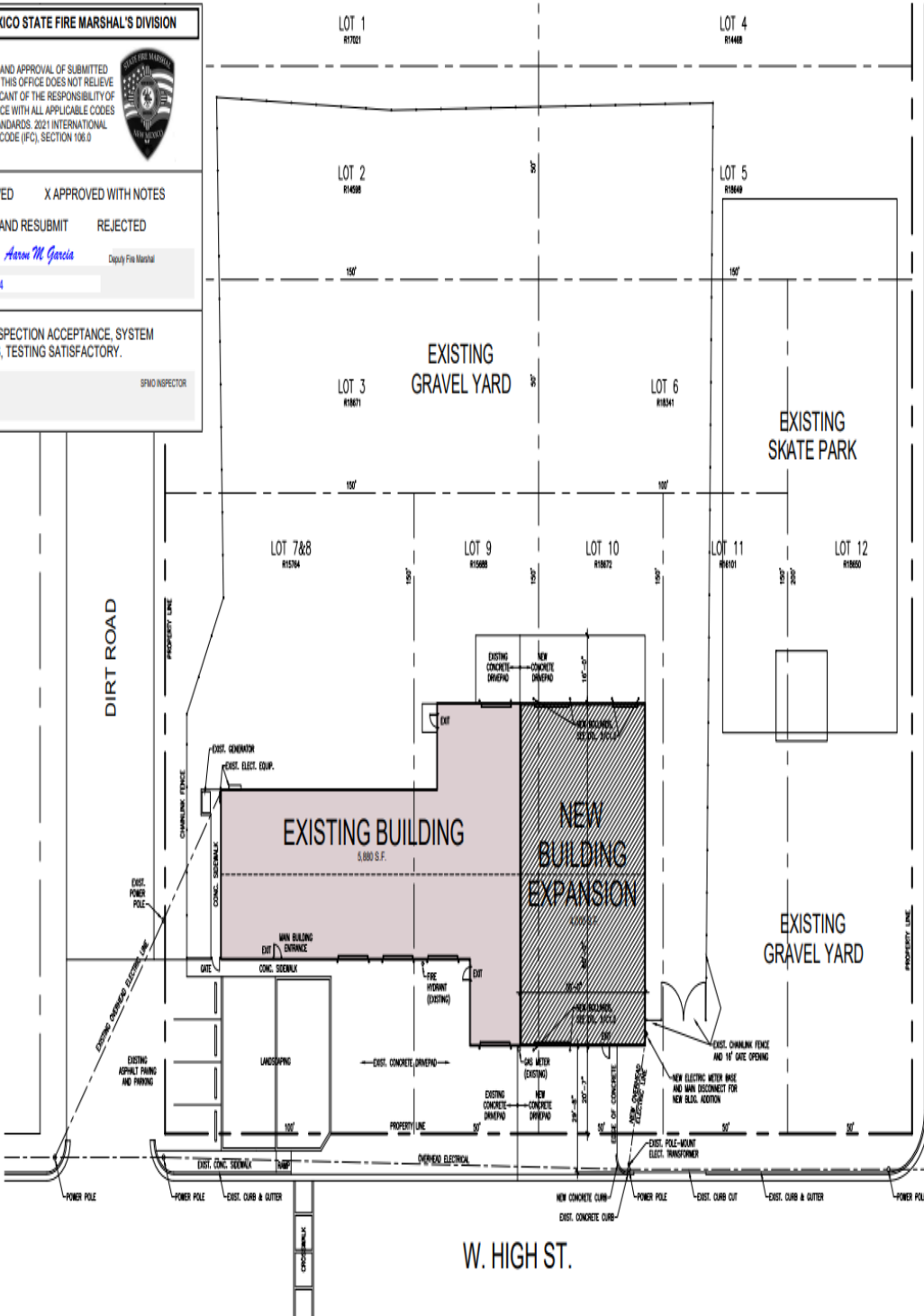
APPROVED APPROVED WITH NOTES
 REVISE AND RESUBMIT REJECTED

Aaron M Garcia Deputy Fire Marshal

DATE: 6/21/2024

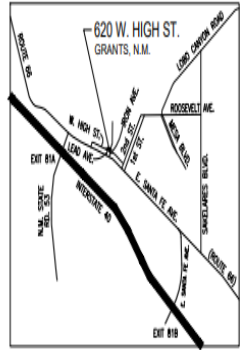
FINAL INSPECTION ACCEPTANCE, SYSTEM PASSES, TESTING SATISFACTORY.

BY: _____ SP/NO INSPECTOR
 DATE: _____



PROJECT DESCRIPTION

1. THIS PROJECT IS THE ADDITION OF TWO VEHICLE BAYS TO THE EXISTING FIRE STATION FACILITY FOR FIRE APPARATUS PARKING. A 2' WIDE WALK OPENING BETWEEN THE EXISTING AND NEW BUILDINGS WILL ALLOW ACCESS BETWEEN SPACES.
2. THE NEW ADDITION IS A 50' x 80' PRE-ENGINEERED METAL BUILDING ON CONCRETE SLAB WITH TURN-DOWN CONCRETE FOUNDATION. CONCRETE CURBS WILL BE INSTALLED ON BOTH ENDS OF THE BUILDING ADDITION.
3. A NEW ELECTRIC SERVICE SEPARATE FROM THE EXISTING BUILDING'S ELECTRIC SERVICE WILL BE INSTALLED AS APPROVED BY THE LOCAL ELECTRIC UTILITY.
4. HVAC WORK CONSISTS OF INSTALLING TWO CEILING-HUNG LOG-FRAME AIR HANDS IN THE NEW SPACE. NO AIR CONDITIONING IS INCLUDED IN THE PROJECT.
5. THERE IS NO WATER OR WHITE PIPING OR PLUMBING FEATURES INCLUDED IN THE PROJECT.
6. EXISTING PLUMBING FACILITIES (RESTROOMS WITH TOILETS, SINKS, SHOWERS, SERVICE SINK AND DRINKING FOUNTAIN) MEET IBC REQUIREMENTS FOR QUANTITY RELATIVE TO THE OCCUPANT LOAD AND ACCESSIBILITY.

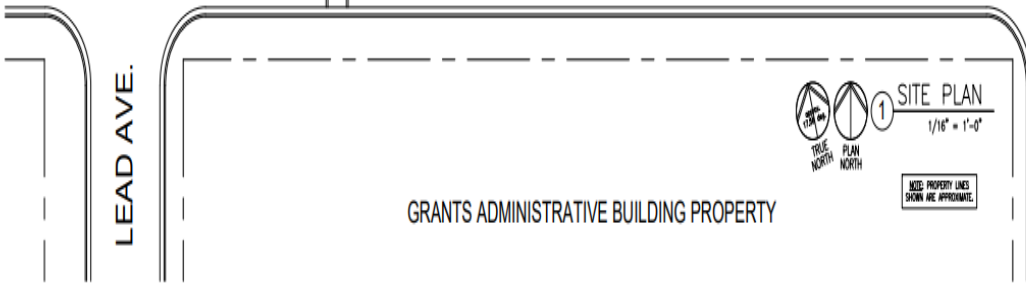


BUILDING CODE DATA

LOCATION:	620 W. HIGH ST. GRANTS, NM 87003
PROPERTY OWNER:	CITY OF GRANTS, NEW MEXICO
LEGAL DESCRIPTION:	PANELS B, C, D, E, F, G, H, I, J, K, L, M, N, O, P, Q, R, S, T, U, V, W, X, Y, Z, AA, AB, AC, AD, AE, AF, AG, AH, AI, AJ, AK, AL, AM, AN, AO, AP, AQ, AR, AS, AT, AU, AV, AW, AX, AY, AZ, BA, BB, BC, BD, BE, BF, BG, BH, BI, BJ, BK, BL, BM, BN, BO, BP, BQ, BR, BS, BT, BU, BV, BW, BX, BY, BZ, CA, CB, CC, CD, CE, CF, CG, CH, CI, CJ, CK, CL, CM, CN, CO, CP, CQ, CR, CS, CT, CU, CV, CW, CX, CY, CZ, DA, DB, DC, DD, DE, DF, DG, DH, DI, DJ, DK, DL, DM, DN, DO, DP, DQ, DR, DS, DT, DU, DV, DW, DX, DY, DZ, EA, EB, EC, ED, EE, EF, EG, EH, EI, EJ, EK, EL, EM, EN, EO, EP, EQ, ER, ES, ET, EU, EV, EW, EX, EY, EZ, FA, FB, FC, FD, FE, FF, FG, FH, FI, FJ, FK, FL, FM, FN, FO, FP, FQ, FR, FS, FT, FU, FV, FW, FX, FY, FZ, GA, GB, GC, GD, GE, GF, GG, GH, GI, GJ, GK, GL, GM, GN, GO, GP, GQ, GR, GS, GT, GU, GV, GW, GX, GY, GZ, HA, HB, HC, HD, HE, HF, HG, HH, HI, HJ, HK, HL, HM, HN, HO, HP, HQ, HR, HS, HT, HU, HV, HW, HX, HY, HZ, IA, IB, IC, ID, IE, IF, IG, IH, II, IJ, IK, IL, IM, IN, IO, IP, IQ, IR, IS, IT, IU, IV, IW, IX, IY, IZ, JA, JB, JC, JD, JE, JF, JG, JH, JI, JJ, JK, JL, JM, JN, JO, JP, JQ, JR, JS, JT, JU, JV, JW, JX, JY, JZ, KA, KB, KC, KD, KE, KF, KG, KH, KI, KJ, KK, KL, KM, KN, KO, KP, KQ, KR, KS, KT, KU, KV, KW, KX, KY, KZ, LA, LB, LC, LD, LE, LF, LG, LH, LI, LJ, LK, LL, LM, LN, LO, LP, LQ, LR, LS, LT, LU, LV, LW, LX, LY, LZ, MA, MB, MC, MD, ME, MF, MG, MH, MI, MJ, MK, ML, MM, MN, MO, MP, MQ, MR, MS, MT, MU, MV, MW, MX, MY, MZ, NA, NB, NC, ND, NE, NF, NG, NH, NI, NJ, NK, NL, NM, NN, NO, NP, NQ, NR, NS, NT, NU, NV, NW, NX, NY, NZ, OA, OB, OC, OD, OE, OF, OG, OH, OI, OJ, OK, OL, OM, ON, OO, OP, OQ, OR, OS, OT, OU, OV, OW, OX, OY, OZ, PA, PB, PC, PD, PE, PF, PG, PH, PI, PJ, PK, PL, PM, PN, PO, PP, PQ, PR, PS, PT, PU, PV, PW, PX, PY, PZ, QA, QB, QC, QD, QE, QF, QG, QH, QI, QJ, QK, QL, QM, QN, QO, QP, QQ, QR, QS, QT, QU, QV, QW, QX, QY, QZ, RA, RB, RC, RD, RE, RF, RG, RH, RI, RJ, RK, RL, RM, RN, RO, RP, RQ, RR, RS, RT, RU, RV, RW, RX, RY, RZ, SA, SB, SC, SD, SE, SF, SG, SH, SI, SJ, SK, SL, SM, SN, SO, SP, SQ, SR, SS, ST, SU, SV, SW, SX, SY, SZ, TA, TB, TC, TD, TE, TF, TG, TH, TI, TJ, TK, TL, TM, TN, TO, TP, TQ, TR, TS, TT, TU, TV, TW, TX, TY, TZ, UA, UB, UC, UD, UE, UF, UG, UH, UI, UJ, UK, UL, UM, UN, UO, UP, UQ, UR, US, UT, UU, UV, UW, UX, UY, UZ, VA, VB, VC, VD, VE, VF, VG, VH, VI, VJ, VK, VL, VM, VN, VO, VP, VQ, VR, VS, VT, VU, VV, VW, VX, VY, VZ, WA, WB, WC, WD, WE, WF, WG, WH, WI, WJ, WK, WL, WM, WN, WO, WP, WQ, WR, WS, WT, WU, WV, WW, WX, WY, WZ, XA, XB, XC, XD, XE, XF, XG, XH, XI, XJ, XK, XL, XM, XN, XO, XP, XQ, XR, XS, XT, XU, XV, XW, XX, XY, XZ, YA, YB, YC, YD, YE, YF, YG, YH, YI, YJ, YK, YL, YM, YN, YO, YP, YQ, YR, YS, YT, YU, YV, YW, YX, YY, YZ, ZA, ZB, ZC, ZD, ZE, ZF, ZG, ZH, ZI, ZJ, ZK, ZL, ZM, ZN, ZO, ZP, ZQ, ZR, ZS, ZT, ZU, ZV, ZW, ZX, ZY, ZZ

DRAWING INDEX

- C1.1 SITE PLAN, VICINITY MAP, CODE DATA AND PROJECT DESCRIPTION
- C1.2 BUILDING PAD PLAN AND SITE DETAILS
- S01 FOUNDATION PLAN
- A1.1 NEW FLOOR PLAN
- A1.2 CEILING PLAN AND ARCHITECTURAL LIGHTING PLAN
- A1.3 EXTERIOR ELEVATIONS
- M-101 MECHANICAL LEGEND AND GENERAL NOTES
- M-101 MECHANICAL PLAN AND EQUIPMENT SCHEDULE
- E1.0 POWER PLAN AND LIGHTING PLAN
- E1.1 PANEL SCHEDULE, ONE-LINE DIAGRAM AND LIGHTING COMPLIANCE
- M.B.D.G. METAL BUILDING PLANS AND DETAILS BY FORRY BUILDING SOLUTIONS

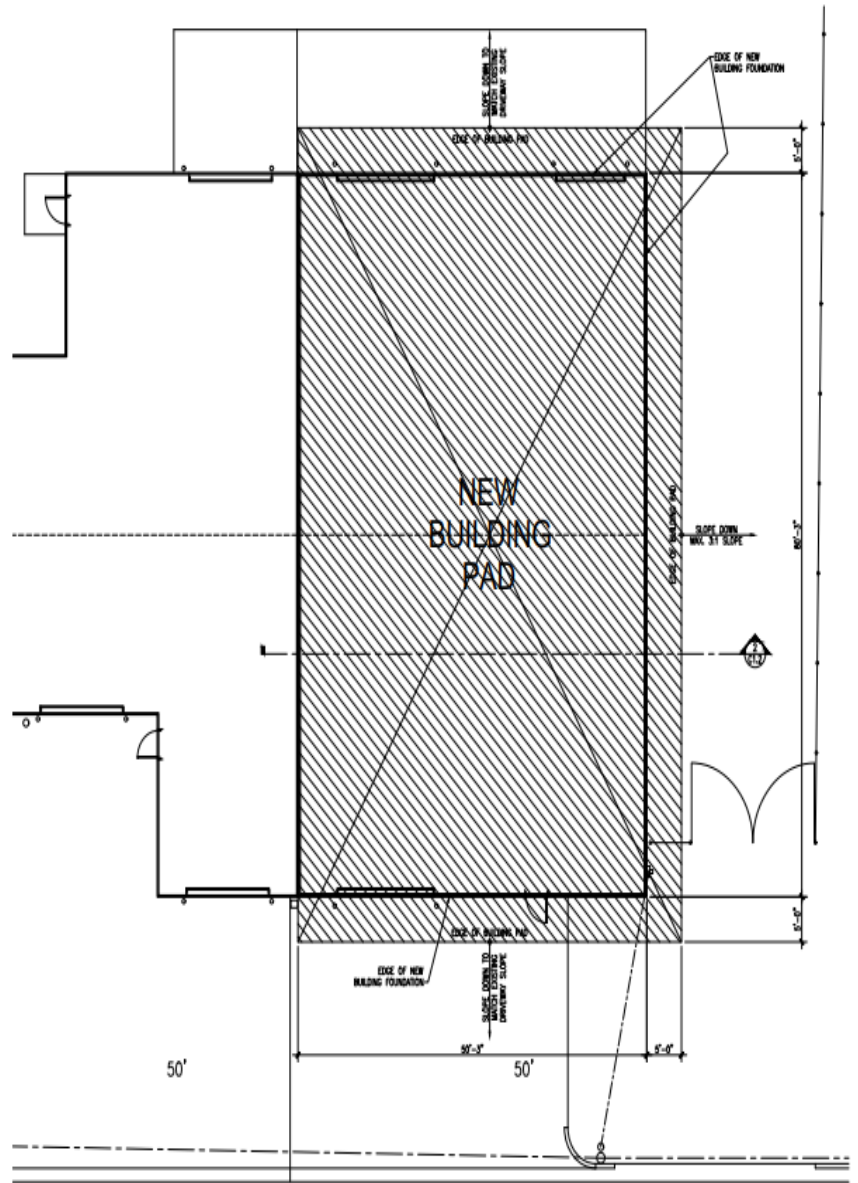


WILLIAM KLEINSCHMIDT ARCHITECT

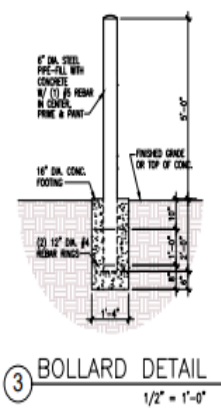
FIRE STATION EXPANSION
GRANTS FIRE and RESCUE
 620 W. HIGH STREET : GRANTS, NEW MEXICO : 87003
 WILLIAM KLEINSCHMIDT : ARCHITECT
 P. O. BOX 509 : SANTA FE, NEW MEXICO : 87502 : 505-761-0088 : 1-800-955-6666

6/20/2024

C1.1



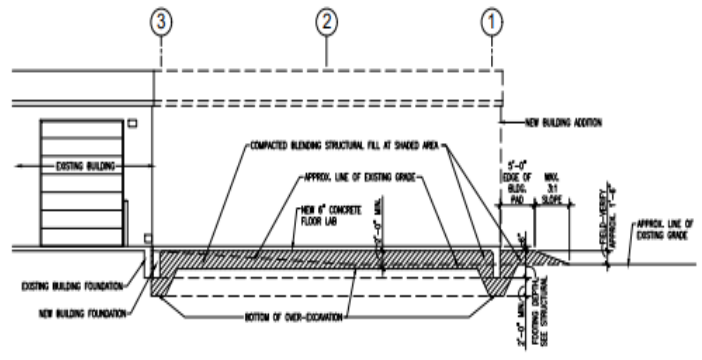
W. HIGH ST.



3 BOLLARD DETAIL
1/2" = 1'-0"



1 BUILDING PAD PLAN
1/8" = 1'-0"



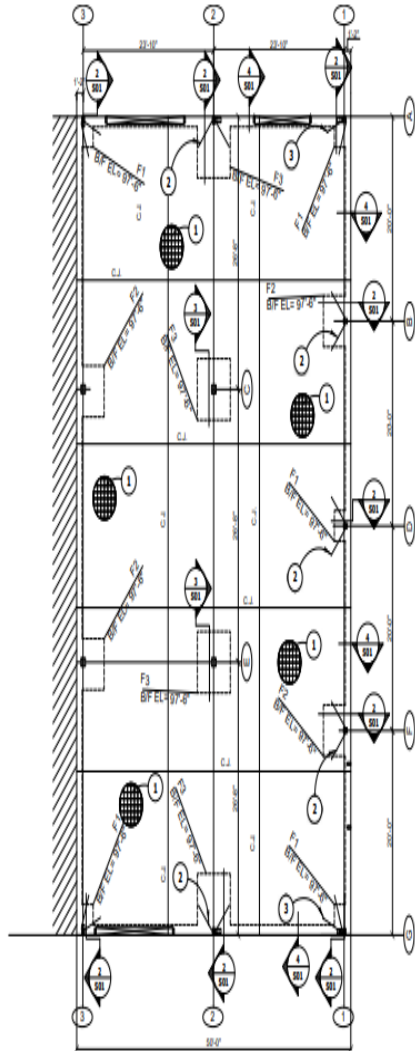
2 SECTION THROUGH BUILDING PAD
1/8" = 1'-0"



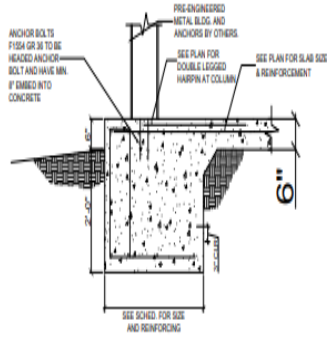
DATE: 6/20/2024
FIRE STATION EXPANSION
GRANTS FIRE and RESCUE
 620 W. HIGH STREET : GRANTS, NEW MEXICO : 87020
 WILLIAM KLEINSCHMIDT : ARCHITECT
 P. O. BOX 5249 : SANTA FE, NEW MEXICO : 87502 : 505-961-0200 : sk@w-kleinschmidt.com

6/20/2024

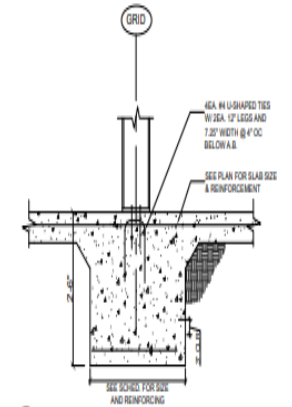
C1.2



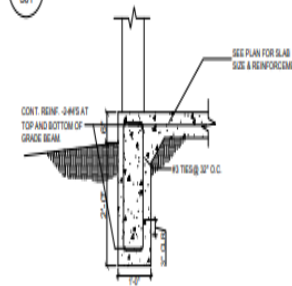
1 FOUNDATION PLAN SCALE = 1/8"=1'-0"
S01



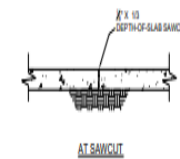
2 FOOTING SECTION SCALE = N.T.S.
S01



3 INTERIOR FOOTING SECTION SCALE = N.T.S.
S01



4 GRADE BEAM SECTION SCALE = 1/4"=1'-0"
S01



5 C.J. SECTION SCALE = N.T.S.
S01

FOOTING SCHEDULE		
MARK	SIZE "W"X"L"X"D"	REINFORCING
F1	3'-0"X3'-0"X2'-6"	3-#4'S EACH WAY TOP & BOTTOM
F2	5'-0"X5'-0"X2'-6"	4-#4'S E.W. TOP & BOTTOM
F3	6'-0"X6'-0"X2'-6"	5-#4'S E.W. TOP & BOTTOM

GENERAL NOTES

- A. CONCRETE TO BE FC = 3000 PSI AT 28 DAYS MINIMUM
- B. REINFORCING STEEL TO 60' GRADE 40 FOR UP TO 40% GRADE 60 FOR 40% AND HIGHER
- C. FINISHED FLOOR ELEVATION = 100'-0"
- D. A GEOTECHNICAL REPORT HAS NOT BEEN FURNISHED. DESIGN PRESUMES WELL DRAINED STIFF SOIL TYPE. SOIL BEARING 1500 PSF. THE OWNER OR CONTRACTOR IS TO ASSURE MIN. VALUES ARE OBTAINED AND THAT PROPER REMEDIATION IS DONE BEFORE CONSTRUCTION.
- E. FORCES TRANSFERRED TO THE FOUNDATION HAVE BEEN PRODUCED BY FORTIFY BUILDING SOLUTIONS, SEALED BY MICHAEL W. CLUSTER DATED 6/11/2024
- F. SLAB CONTROL JOINTS (C.J.) SEE SECTION 5501.

KEYED NOTES

- 1. SLAB TO BE 4" CONCRETE MIN. DEPTH AND REINFORCED WITH #4 @ 18" O.C. AT 180 SLAB.
- 2. #4 HARRIPS MID-SLAB, MIN. 48" LEG. PLACE APREX BETWEEN SLAB EDGE AND CENTER OF COLUMN ANCHOR BOLTS. PROVIDE MIN. 2" COVER.
- 3. #4 HARRIPS MID-SLAB, MIN. 36" LEG. PLACE APREX BETWEEN SLAB EDGE AND CENTER OF COLUMN ANCHOR BOLTS. PROVIDE MIN. 2" COVER.
- 4. SEE STEEL BUILDING DETAILS FOR AREA IN SLABS AT EXTERIOR DOORS.

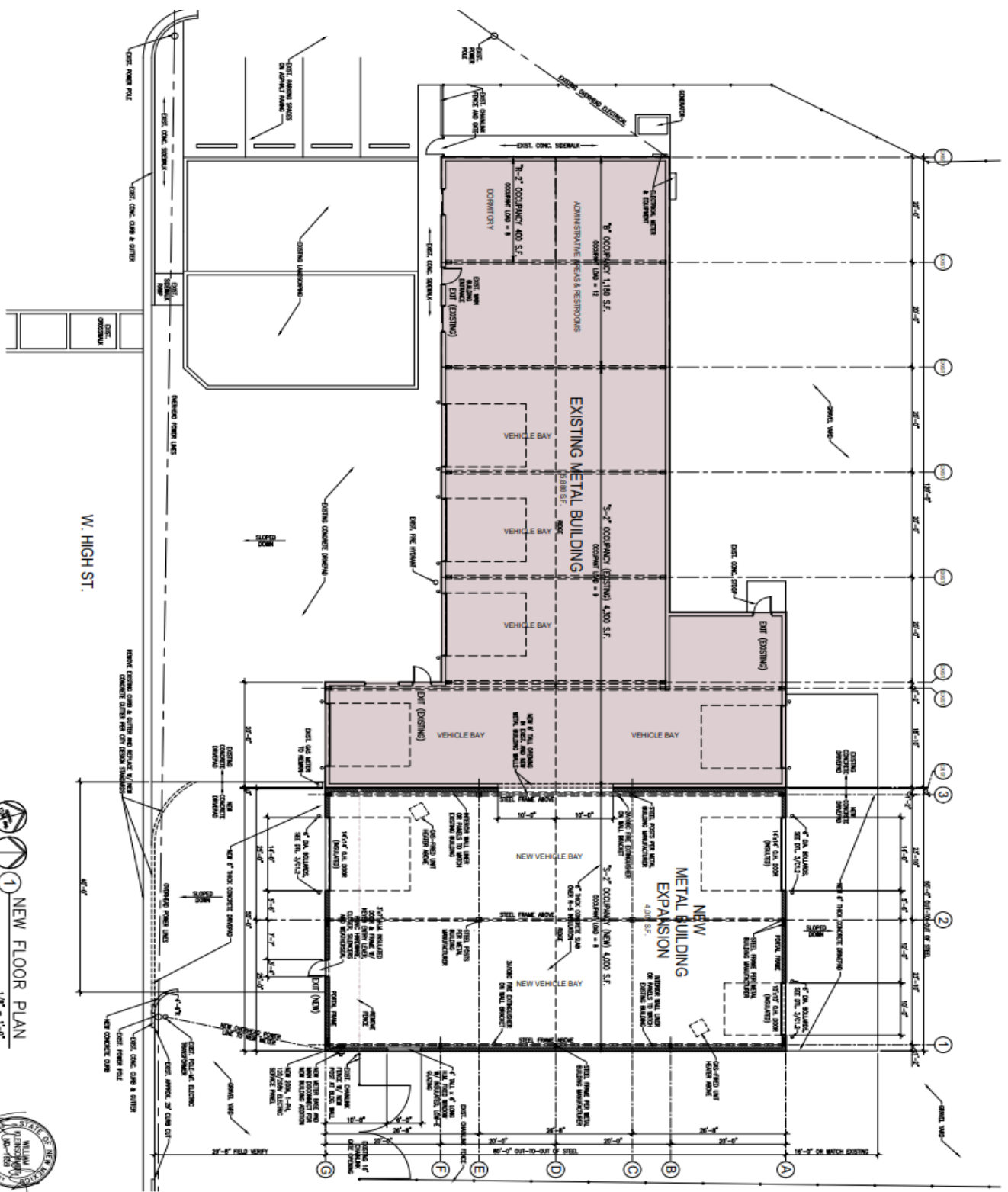


CHRIS MURRAY ENGINEER
LICENSED PROFESSIONAL ENGINEER - STATE OF NEW MEXICO
LICENSE NO. 10022 (06/2018-06/2024)

GRANTS DEPT. OF FIRE & RESCUE
METAL BLDG. EXTENSION FOUNDATION
620 HIGH ST.
GRANTS, NM 87020

S01

FOUNDATION PLAN



NEW FLOOR PLAN
1/8" = 1'-0"

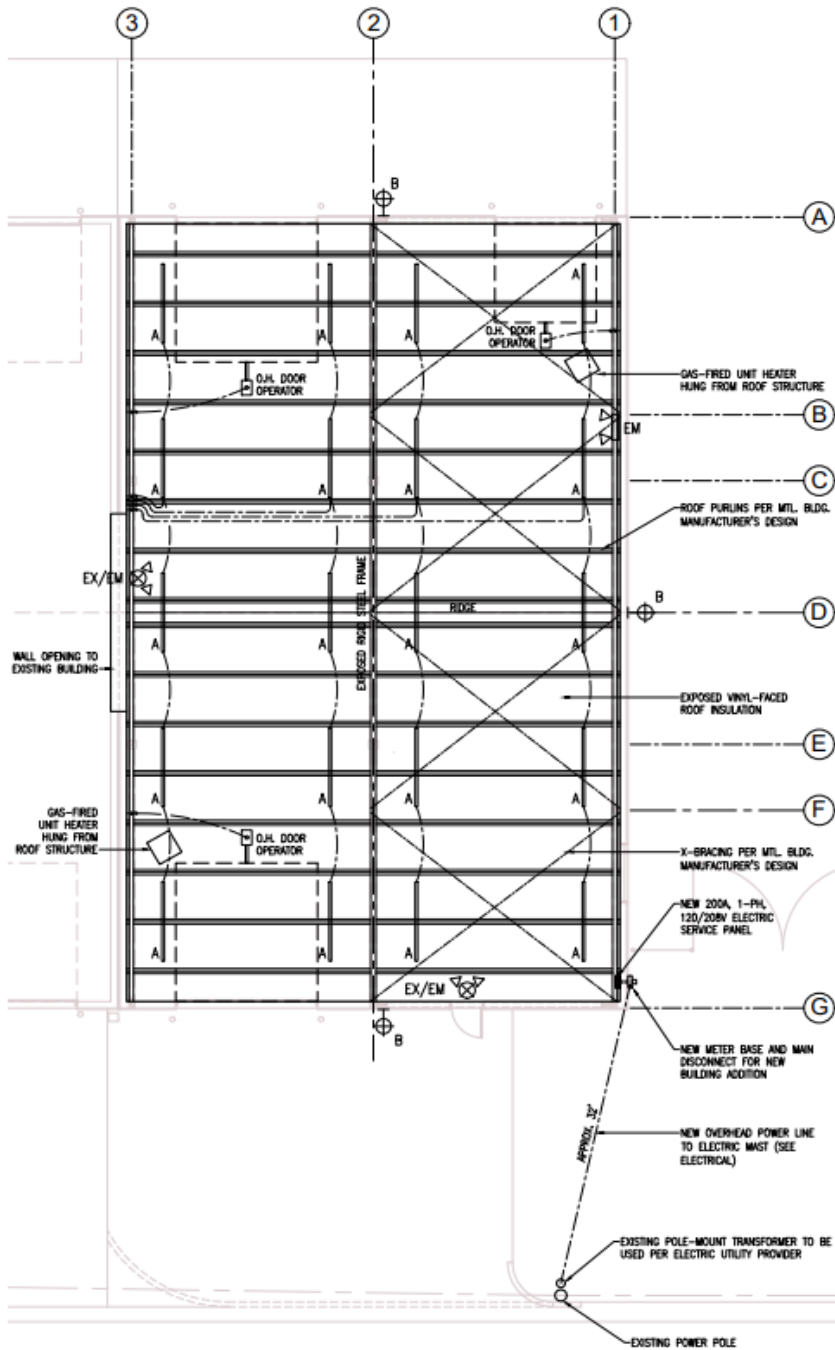


6/20/2024

ENERGY EFFICIENCY REQUIREMENTS

APPLICABLE CODE	NAE 2019 COMMERCIAL ENERGY CONSERVATION CODE
CLIMATE ZONE	4B (COLD CLIMATE)
GLAZING TYPE	WALL GLAZING
5.6.10-5.6.12 (NEW)	6-12" PLENUM INSULATION TO 2" AIR SPACE ABOVE + 6-3" FILL SPACE
5.6.13 (NEW)	6-12" R-VALUE + 6-12" CONTINUOUS
5.6.14 (NEW)	6-12" + 6-11" INSULATION SYSTEM
5.6.15 (NEW)	6-12"
5.6.16 (NEW)	6-12"
5.6.17 (NEW)	6-12"
5.6.18 (NEW)	6-12"
5.6.19 (NEW)	6-12"
5.6.20 (NEW)	6-12"
5.6.21 (NEW)	6-12"
5.6.22 (NEW)	6-12"
5.6.23 (NEW)	6-12"
5.6.24 (NEW)	6-12"
5.6.25 (NEW)	6-12"
5.6.26 (NEW)	6-12"
5.6.27 (NEW)	6-12"
5.6.28 (NEW)	6-12"
5.6.29 (NEW)	6-12"
5.6.30 (NEW)	6-12"
5.6.31 (NEW)	6-12"
5.6.32 (NEW)	6-12"
5.6.33 (NEW)	6-12"
5.6.34 (NEW)	6-12"
5.6.35 (NEW)	6-12"
5.6.36 (NEW)	6-12"
5.6.37 (NEW)	6-12"
5.6.38 (NEW)	6-12"
5.6.39 (NEW)	6-12"
5.6.40 (NEW)	6-12"
5.6.41 (NEW)	6-12"
5.6.42 (NEW)	6-12"
5.6.43 (NEW)	6-12"
5.6.44 (NEW)	6-12"
5.6.45 (NEW)	6-12"
5.6.46 (NEW)	6-12"
5.6.47 (NEW)	6-12"
5.6.48 (NEW)	6-12"
5.6.49 (NEW)	6-12"
5.6.50 (NEW)	6-12"
5.6.51 (NEW)	6-12"
5.6.52 (NEW)	6-12"
5.6.53 (NEW)	6-12"
5.6.54 (NEW)	6-12"
5.6.55 (NEW)	6-12"
5.6.56 (NEW)	6-12"
5.6.57 (NEW)	6-12"
5.6.58 (NEW)	6-12"
5.6.59 (NEW)	6-12"
5.6.60 (NEW)	6-12"
5.6.61 (NEW)	6-12"
5.6.62 (NEW)	6-12"
5.6.63 (NEW)	6-12"
5.6.64 (NEW)	6-12"
5.6.65 (NEW)	6-12"
5.6.66 (NEW)	6-12"
5.6.67 (NEW)	6-12"
5.6.68 (NEW)	6-12"
5.6.69 (NEW)	6-12"
5.6.70 (NEW)	6-12"
5.6.71 (NEW)	6-12"
5.6.72 (NEW)	6-12"
5.6.73 (NEW)	6-12"
5.6.74 (NEW)	6-12"
5.6.75 (NEW)	6-12"
5.6.76 (NEW)	6-12"
5.6.77 (NEW)	6-12"
5.6.78 (NEW)	6-12"
5.6.79 (NEW)	6-12"
5.6.80 (NEW)	6-12"
5.6.81 (NEW)	6-12"
5.6.82 (NEW)	6-12"
5.6.83 (NEW)	6-12"
5.6.84 (NEW)	6-12"
5.6.85 (NEW)	6-12"
5.6.86 (NEW)	6-12"
5.6.87 (NEW)	6-12"
5.6.88 (NEW)	6-12"
5.6.89 (NEW)	6-12"
5.6.90 (NEW)	6-12"
5.6.91 (NEW)	6-12"
5.6.92 (NEW)	6-12"
5.6.93 (NEW)	6-12"
5.6.94 (NEW)	6-12"
5.6.95 (NEW)	6-12"
5.6.96 (NEW)	6-12"
5.6.97 (NEW)	6-12"
5.6.98 (NEW)	6-12"
5.6.99 (NEW)	6-12"
5.6.100 (NEW)	6-12"

GRANTS FIRE and RESCUE
FIRE STATION EXPANSION
ARCHITECT
WILLIAM KLEINSCHMIDT



LIGHT FIXTURE LEGEND				
SYMBOL	DESCRIPTION	WATTS PER FIXT.	QTY.	TOTAL WATTS
—A	8' LONG LED LENSED SHOP LIGHT DIMMABLE	60W	20	1200W
⊕-B	EXTERIOR LED WALL PACK SECURITY LIGHT	75W	3	225W
⊕-EX/EM	COMBINATION ILLUMINATED EXIT SIGN AND EMERGENCY LIGHT, WITH BATTERY BACK-UP	3.5W	2	7W
1432 WATTS DIV. BY 4,000 S.F. = 0.36 WATTS/S.F. ALLOWABLE 0.53 WATTS/S.F., PER IECG TABLE 405.3.2(1) (OFFICE) = 2,120 WATTS				1432W

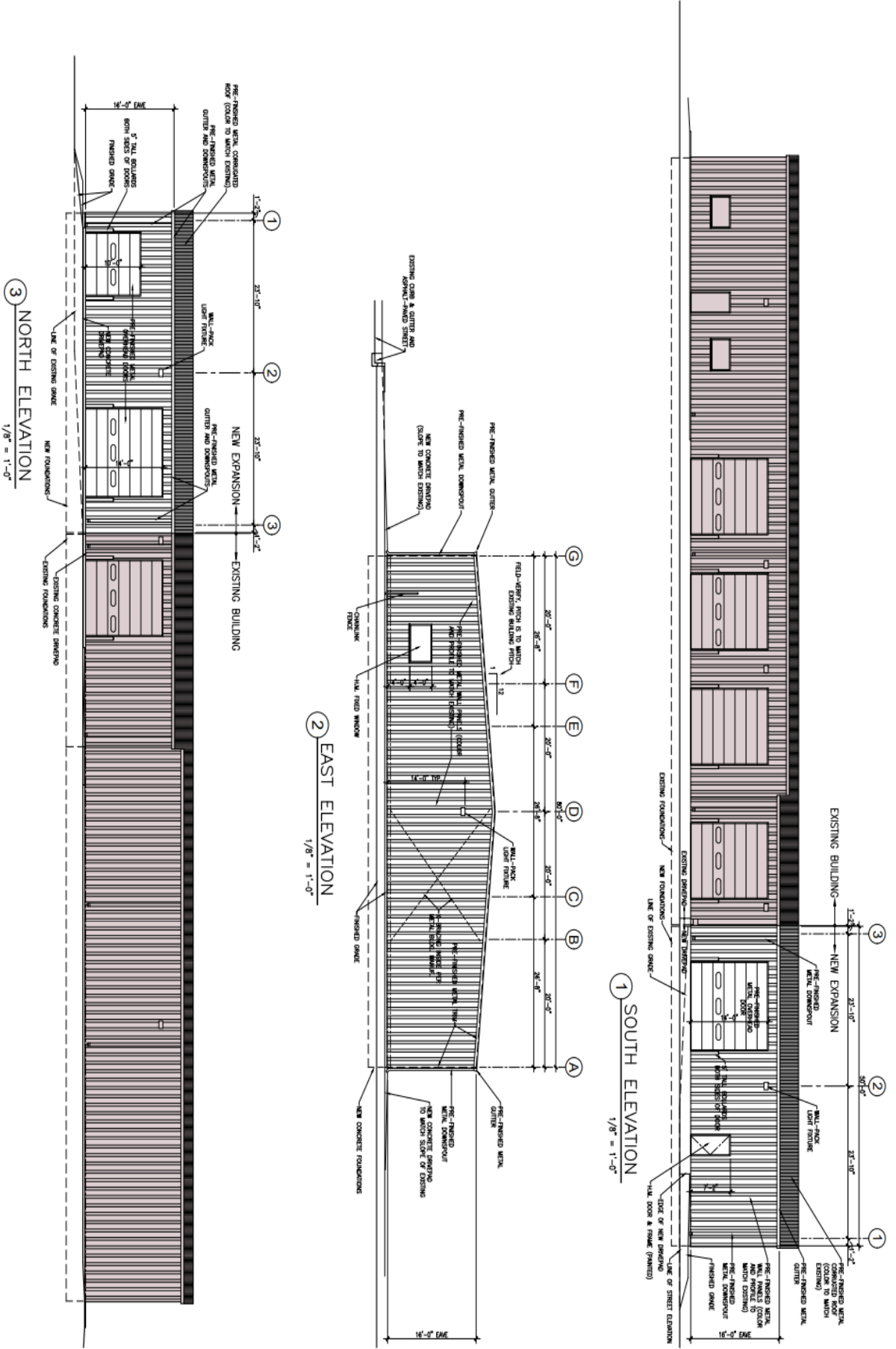
- LIGHTING NOTES**
1. ALL L.E.D. LAMPS 3500K COLOR TEMPERATURE.
 2. — STANDARD LIGHT SWITCH 48" A.F.F.
 3. — 4-WAY LIGHT SWITCH 48" A.F.F.
 4. — 3-WAY LIGHT SWITCH 48" A.F.F.
 5. "A" FIXTURES DIMMABLE.
 6. EXTERIOR LIGHT FIXTURES SHALL MEET NEW MEXICO "NIGHT SKY" REQUIREMENTS.

1 CEILING PLAN / LIGHTING PLAN
 1/8" = 1'-0"



DATE: 6/20/2024 REC REC REC REC
FIRE STATION EXPANSION
GRANTS FIRE and RESCUE
 620 W. HIGH STREET : GRANTS, NEW MEXICO : 87020
WILLIAM KLEINSCHMIDT : ARCHITECT
 P. O. BOX 5249 : SANTA FE, NEW MEXICO : 87502 : 505-761-0200 : billw-k.com

6/20/2024



6/20/2024

DATE: 6/20/2024
 PROJECT: FIRE STATION EXPANSION
 CLIENT: GRANTS FIRE and RESCUE
 ADDRESS: 6220 W. HIGH STREET, GRANTS, NEW MEXICO 87020
 ARCHITECT: WILLIAM KLEINSCHMIDT ARCHITECT
 OFFICE: P.O. BOX 2549, SANTA FE, NEW MEXICO 87502 | 505-361-2000 | WWW.WKLEINSCHMIDT.COM

COMBUSTION AIR CALC.

ALL AIR INTAKE SHALL BE PROVIDED WITH AN ADEQUATE AIR SUPPLY AS PER LOCAL CODES. REFER TO LOCAL CODES FOR FURTHER INFORMATION. REFER TO LOCAL CODES FOR FURTHER INFORMATION.

VENTILATION SCHEDULE

SEE SCHEDULE FOR FURTHER INFORMATION. REFER TO LOCAL CODES FOR FURTHER INFORMATION. REFER TO LOCAL CODES FOR FURTHER INFORMATION.

GAS HEATER SCHEDULE

SYMBOL	MANUFACTURER	SERIAL	QHP	TYPE	INPUT	OUTPUT	STATUS	Q/V	IN	OUT	Q/V	IN	OUT	Q/V	IN	OUT
GH1	STAMAND	APPM001	100	30"	100	100	2	100	100	100	100	100	100	100	100	100
GH2	STAMAND	APPM002	100	30"	100	100	2	100	100	100	100	100	100	100	100	100
GH3	STAMAND	APPM003	100	30"	100	100	2	100	100	100	100	100	100	100	100	100

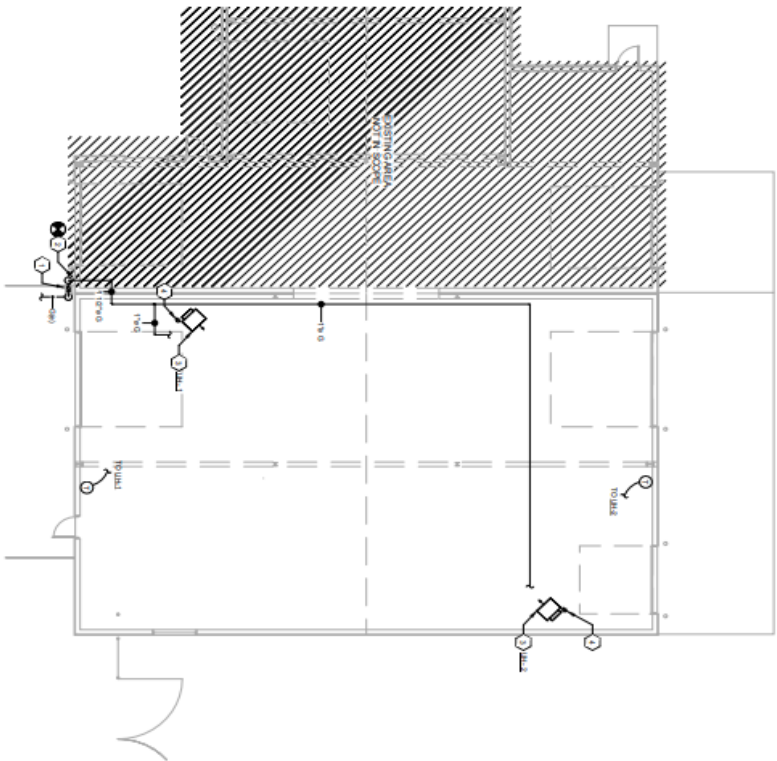
1. PROVIDE GAS HEATERS WITH 2" STAINLESS STEEL INLET AND 2" STAINLESS STEEL OUTLET.

GAS DEMAND SCHEDULE

EQUIPMENT	QHP	INPUT	OUTPUT
GH1	100	100	100
GH2	100	100	100
GH3	100	100	100

NOTE: GAS HEATERS SHALL BE PROVIDED WITH 2" STAINLESS STEEL INLET AND 2" STAINLESS STEEL OUTLET.

1 MECHANICAL FLOOR PLAN



GENERAL NOTES:

- REFER TO ALL FOR GENERAL NOTES AND SYMBOLS.

KEYED NOTES:

- EXISTING GAS HEATER ON WALL.
- CONNECT NEW NATURAL GAS PIPE INTO EXISTING PIPE AT THE R. NEW PER 230.
- CONNECT NEW NATURAL GAS PIPE INTO EXISTING PIPE AT THE R. NEW PER 230.
- CONNECT NEW NATURAL GAS PIPE INTO EXISTING PIPE AT THE R. NEW PER 230.



OWNER
GRANTS FIRE and RESCUE
FIRE STATION EXPANSION
MECHANICAL FLOOR PLAN
WILLIAM KIENSCHAWDT, AIA ARCHITECT
M-101

COMBINED SYSTEMS VERSION 4.15.5
Interior Lighting Compliance Certificate

Project Information

Project Name: 200A M.C.B. NEMA 3R FUSEB...
 Project No: 200A M.C.B. NEMA 3R FUSEB...
 Project Address: 200A M.C.B. NEMA 3R FUSEB...
 Project City: 200A M.C.B. NEMA 3R FUSEB...
 Project State: 200A M.C.B. NEMA 3R FUSEB...
 Project Zip: 200A M.C.B. NEMA 3R FUSEB...

Additional Information

Additional Information: 200A M.C.B. NEMA 3R FUSEB...
 Additional Information: 200A M.C.B. NEMA 3R FUSEB...
 Additional Information: 200A M.C.B. NEMA 3R FUSEB...

Prepared for: 200A M.C.B. NEMA 3R FUSEB...
 Prepared by: 200A M.C.B. NEMA 3R FUSEB...
 Date: 200A M.C.B. NEMA 3R FUSEB...
 Version: 200A M.C.B. NEMA 3R FUSEB...

Lighting System Description & Details

Lighting System Description: 200A M.C.B. NEMA 3R FUSEB...
 Lighting System Details: 200A M.C.B. NEMA 3R FUSEB...
 Lighting System Details: 200A M.C.B. NEMA 3R FUSEB...

Lighting System Description: 200A M.C.B. NEMA 3R FUSEB...
 Lighting System Details: 200A M.C.B. NEMA 3R FUSEB...
 Lighting System Details: 200A M.C.B. NEMA 3R FUSEB...

Compliance Summary

Compliance Summary: 200A M.C.B. NEMA 3R FUSEB...
 Compliance Summary: 200A M.C.B. NEMA 3R FUSEB...
 Compliance Summary: 200A M.C.B. NEMA 3R FUSEB...

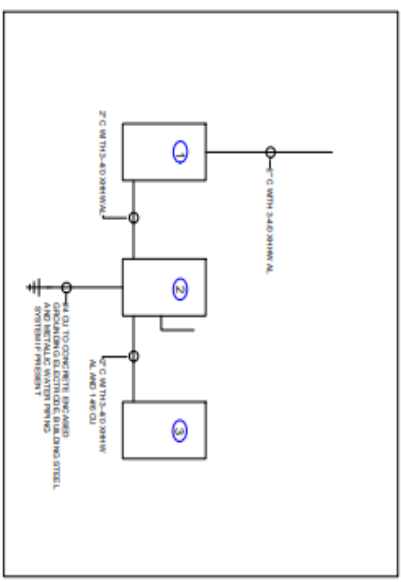
Compliance Summary: 200A M.C.B. NEMA 3R FUSEB...
 Compliance Summary: 200A M.C.B. NEMA 3R FUSEB...
 Compliance Summary: 200A M.C.B. NEMA 3R FUSEB...

General Notes

General Notes: 200A M.C.B. NEMA 3R FUSEB...
 General Notes: 200A M.C.B. NEMA 3R FUSEB...
 General Notes: 200A M.C.B. NEMA 3R FUSEB...

General Notes: 200A M.C.B. NEMA 3R FUSEB...
 General Notes: 200A M.C.B. NEMA 3R FUSEB...
 General Notes: 200A M.C.B. NEMA 3R FUSEB...

- KEYED NOTES
1. SINGLE PHASE 200A METER SOCKET PER
 2. 200A M.C.B. NEMA 3R FUSEB...
 3. DISCONNECT FUSE WITH 2500A TYPE R FUSES
 4. 200A M.C.B. NEMA 1-42 SPACE PANEL A 10K AC.



Available Fault Current Calculation

Available Fault Current Calculation: 200A M.C.B. NEMA 3R FUSEB...
 Available Fault Current Calculation: 200A M.C.B. NEMA 3R FUSEB...
 Available Fault Current Calculation: 200A M.C.B. NEMA 3R FUSEB...

Available Fault Current Calculation: 200A M.C.B. NEMA 3R FUSEB...
 Available Fault Current Calculation: 200A M.C.B. NEMA 3R FUSEB...
 Available Fault Current Calculation: 200A M.C.B. NEMA 3R FUSEB...

Panel Schedule

Panel Schedule: 200A M.C.B. NEMA 3R FUSEB...
 Panel Schedule: 200A M.C.B. NEMA 3R FUSEB...
 Panel Schedule: 200A M.C.B. NEMA 3R FUSEB...

Panel Schedule: 200A M.C.B. NEMA 3R FUSEB...
 Panel Schedule: 200A M.C.B. NEMA 3R FUSEB...
 Panel Schedule: 200A M.C.B. NEMA 3R FUSEB...

Approved by

Approved by: 200A M.C.B. NEMA 3R FUSEB...
 Approved by: 200A M.C.B. NEMA 3R FUSEB...
 Approved by: 200A M.C.B. NEMA 3R FUSEB...

Approved by: 200A M.C.B. NEMA 3R FUSEB...
 Approved by: 200A M.C.B. NEMA 3R FUSEB...
 Approved by: 200A M.C.B. NEMA 3R FUSEB...

DATE SUBMITTED: 200A M.C.B. NEMA 3R FUSEB...
 FIRE STATION EXPANSION
 GRANTS FIRE and RESCUE
 650 W. TRISH STREET - GRANTS, NEW MEXICO - 87020
 WILLIAM KLEINSCHMIDT - ARCHITECT
 1000 W. 10TH STREET - DENVER, CO 80202 - 303-733-0801

E1.1

